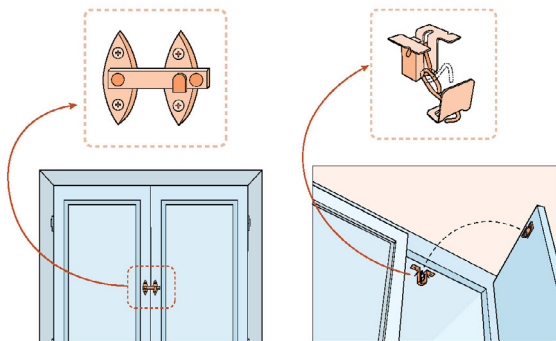
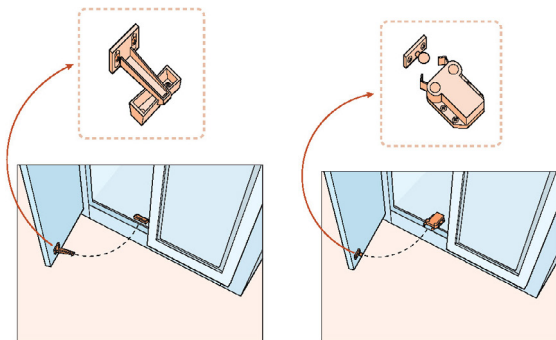


Secure Your Cabinet Doors



EarthquakeCountry.org/step1

Secure Your Cabinet Doors

Unsecured cabinet doors fly open during earthquakes, allowing glassware and dishes to crash to the floor. Many types of latches are available to prevent this.

- **Pull / Throwover** – Screws to the front of cabinet doors.
- **Push Latch** – A base attaches with screws on the inner shelf, and a small peg is attached to the back of the door. The base holds the peg until the door is pushed inward.
- **Child Proof Latch** – Most install using strong adhesives, close automatically, and release by pulling the door open slightly and lifting a release latch.
- **SeismoLatch™** – Installed using peel-n-stick high-bond adhesive; latch falls into place during earthquake shaking.

